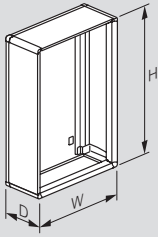
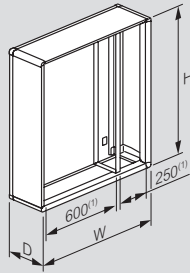


■ Dimensions

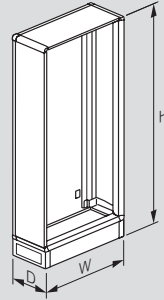
Cabinets



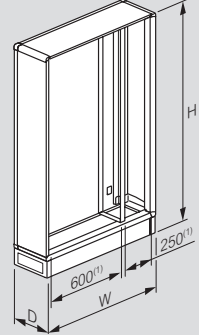
Cabinets with internal cable sleeve



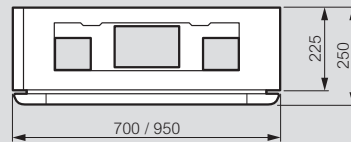
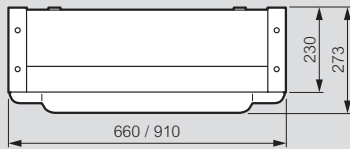
Enclosures with external cable sleeve



Enclosures with internal cable sleeve



1: Usable width



IP 40-43

Cat.Nos	External dimensions (mm)		
	W	H	D
Cabinets			
0 204 01	660	1050	230
0 204 02	660	1250	230
0 204 06	910	1050	230
0 204 07	910	1250	230
Enclosures			
0 204 03	660	1550	230
0 204 04	660	1950	230
0 204 08	910	1550	230
0 204 09	910	1950	230
Ext. cable sleeves			
0 204 23	460	1550	230
0 204 24	460	1950	230

IP 55

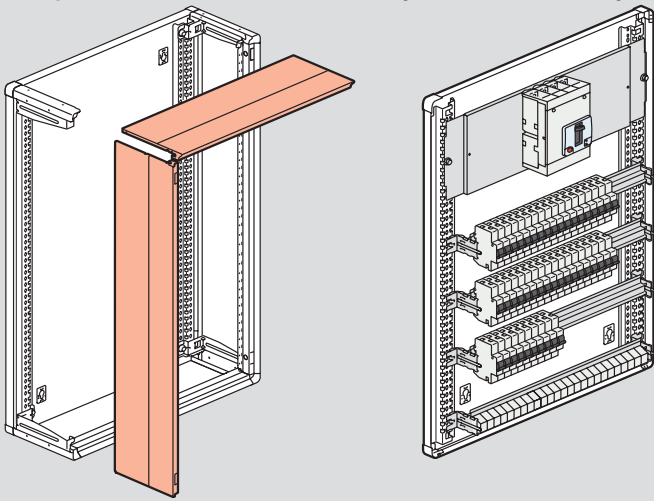
Cat.Nos	External dimensions (mm)		
	W	H	D
Cabinets			
0 204 51	700	1095	225
0 204 52	700	1295	225
0 204 56	950	1095	225
0 204 57	950	1295	225
Enclosures			
0 204 53	700	1595	225
0 204 54	700	1995	225
0 204 58	950	1595	225
0 204 59	950	1995	225
Ext. cable sleeves			
0 204 73	500	1595	225
0 204 74	500	1995	225

XL³ 800

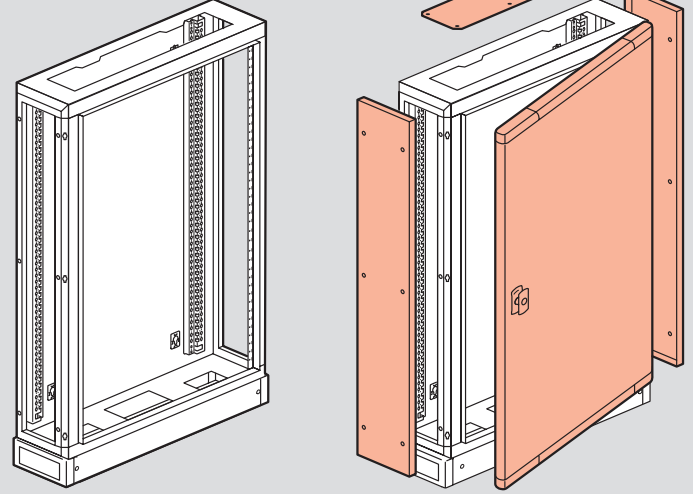
IP 30-40-43, IP 55 characteristics

■ IP 30, IP 40, IP 43 installation principle

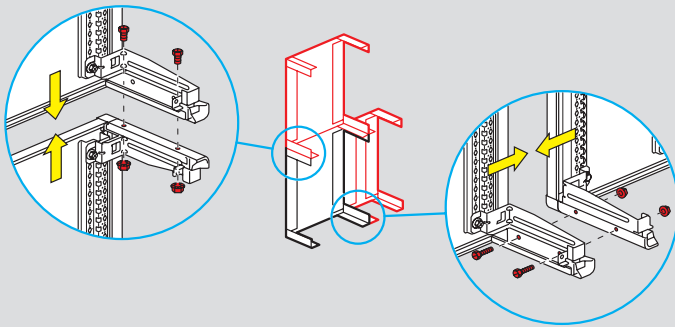
Side panels can be removed individually Total accessibility



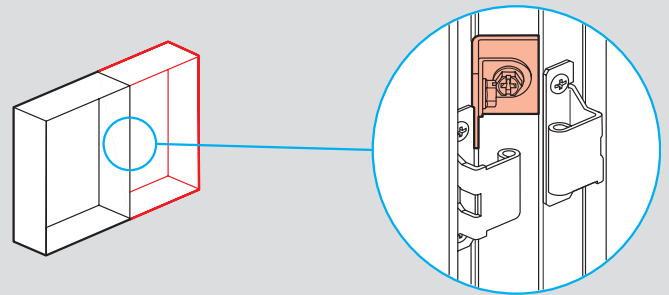
■ IP 55 installation principle



Horizontal and vertical joining



Horizontal joining



XL³ 800

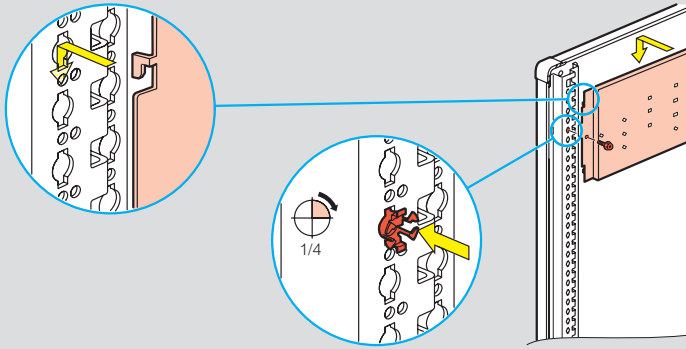
equipment for mounting on plate: DPX-IS 250, 630, 1600

XL³ 800

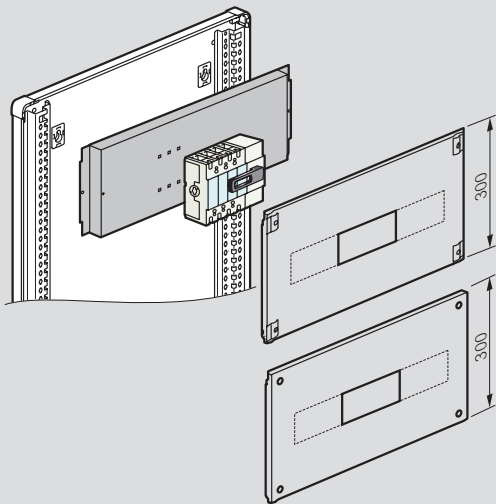
equipment for mounting on plate: DPX³ 630 and 1600

Installation principle

Attaching and fitting plates directly on functional uprights



DPX-IS 250 mounting

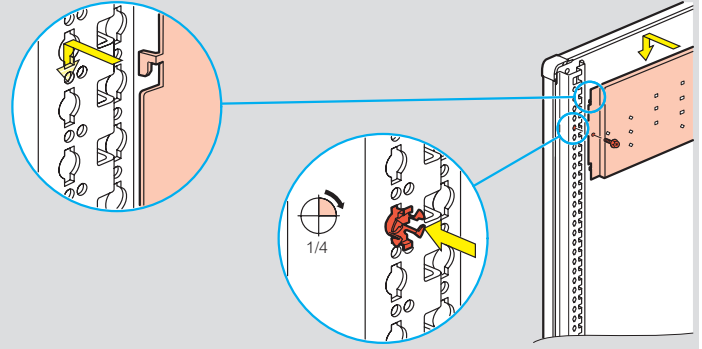


Selection of faceplates and plates for DPX-IS

Cabinets, enclosures width	Plates	Faceplates			Faceplate height (mm)	
		DPX-IS	1/4 turn fastening	Screw		
660 mm	0 206 05	DPX-IS 250	x 1	0 208 10	0 209 10	300
	0 206 05	DPX-IS 250	x 2	0 208 06	0 209 06	300
	0 206 07	DPX-IS 630	x 1	0 208 07	0 209 07	300
	0 206 30	DPX-IS 1600	x 1	0 208 30	0 209 30	400
910 mm	0 206 55	DPX-IS 250	x 1	-	0 209 60	300
	0 206 55	DPX-IS 250	x 2	-	0 209 60	300
	0 206 57	DPX-IS 630	x 1	-	0 209 57	300

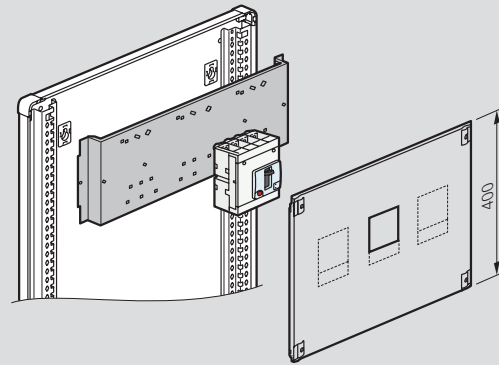
Installation principle

Attaching and fitting plates directly on functional uprights



Device in vertical position

DPX³ 630 and 1600



Device in horizontal position

